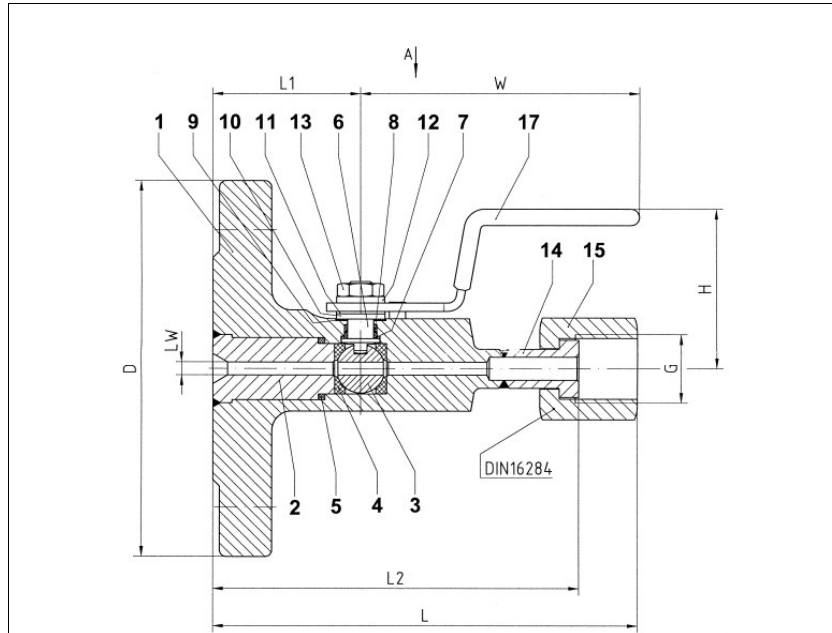


# BALL VALVES INTEC

K620/2, DN15 - DN100, PN16/40  
without vent bore



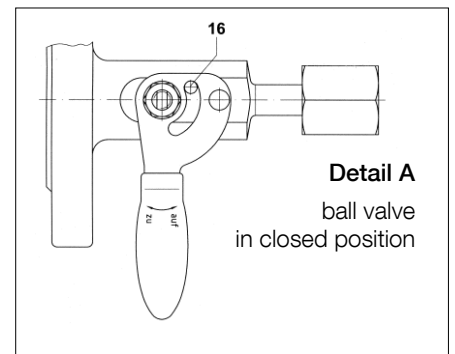
Pressure gauge ball valve with flange connection acc. to EN 1092 collar cap with cap nut G 1/2" acc. to DIN 16284 face to face dimensions acc. to producers standard

**Specification:**

Pressure gauge ball valve with flange connection acc. to EN 1092, collar cap with cap nut G 1/2" acc. to DIN 16284, fully welded body material stainless steel (1.4408/1.4571/1.4404), antistatic device, free of non ferrous metals, maintenance free shaft sealing with friction washer and cone ring, without vent bore, certified acc. to GERMAN clean air act VDI 2440, with lever.

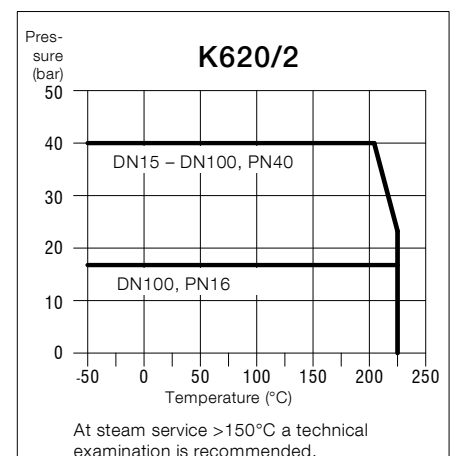
Marking: INTEC  
Type: K620/2

| No. | Part                 | Material code          |
|-----|----------------------|------------------------|
| 1   | body                 | 1.4408/1.4571/1.4404   |
| 2   | cap                  | 1.4571/1.4404          |
| 3   | ball                 | 1.4571/1.4404          |
| 4   | seat                 | KFGN                   |
| 5   | seal                 | KF                     |
| 6   | stem                 | 1.4571/1.4404          |
| 7   | friction washer      | KFSM                   |
| 8   | cone ring            | KF                     |
| 9   | antistatic element   | KFA                    |
| 10  | washer               | A2                     |
| 11  | plate spring         | 1.4310                 |
| 12  | serrated lock washer | A2                     |
| 13  | hex. nut             | A2                     |
| 14  | collar cap           | 1.4571/1.4404          |
| 15  | cap nut              | 1.4571/1.4404          |
| 16  | stopper              | 1.4571/1.4404          |
| 17  | lever                | 1.4301/plasticised PVC |



**Dimensions**

| DN mm | LW | PN | G    | dimensions (mm) |    |     |    |    |     |
|-------|----|----|------|-----------------|----|-----|----|----|-----|
|       |    |    |      | L               | L1 | L2  | H  | W  | D   |
| 15    | 4  | 40 | 1/2" | 130             | 45 | 112 | 49 | 86 | 95  |
| 20    | 4  | 40 | 1/2" | 130             | 45 | 112 | 49 | 86 | 105 |
| 25    | 4  | 40 | 1/2" | 130             | 45 | 112 | 49 | 86 | 115 |
| 32    | 4  | 40 | 1/2" | 130             | 45 | 112 | 49 | 86 | 140 |
| 40    | 4  | 40 | 1/2" | 130             | 45 | 112 | 49 | 86 | 150 |
| 50    | 4  | 40 | 1/2" | 130             | 45 | 112 | 49 | 86 | 165 |
| 65    | 4  | 40 | 1/2" | 130             | 45 | 112 | 49 | 86 | 185 |
| 80    | 4  | 40 | 1/2" | 130             | 45 | 112 | 49 | 86 | 200 |
| 100   | 4  | 16 | 1/2" | 130             | 45 | 112 | 49 | 86 | 220 |
| 100   | 4  | 40 | 1/2" | 130             | 45 | 112 | 49 | 86 | 235 |



Ordering example:  
INTEC K620/2, DN25, PN40, 1.4408

Other pressure classes on request

Subject to technical modification. 11/2019